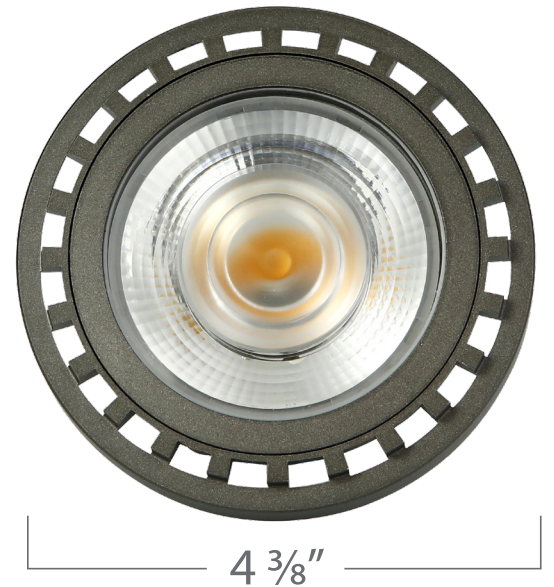


PAR36 14.0W - 15°

SPECIFICATIONS & TECHNICAL DATA

The 12V EmeryAllen PAR36 retrofit lamp is an energy efficient alternative to halogen PAR36 lamps. It offers similar light output to a 12V, 55W incandescent (1100lm) and is suitable for use in most 12V PAR36 fixtures.

Material	Ceramic + PC
Input Voltage	12V AC/DC
Wattage	14.0
Volt-Amperes (VA)	16
CRI	90
Brightness	1020 lumens
Lumens/Watt	73
CBCP	8897
Color Temperature	2700K, 3000K
R9	49
R13	92
Halogen Equivalent	55W
Beam Angle	15 degrees



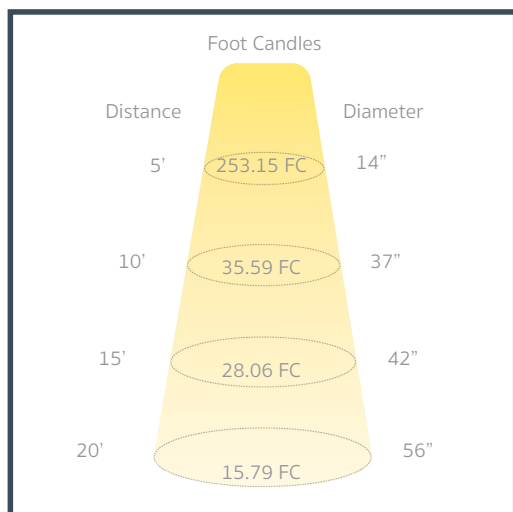
Available Models:

- EA-PAR36-14.0W-15D-2790 (2700K)
- EA-PAR36-14.0W-15D-3090 (3000K)

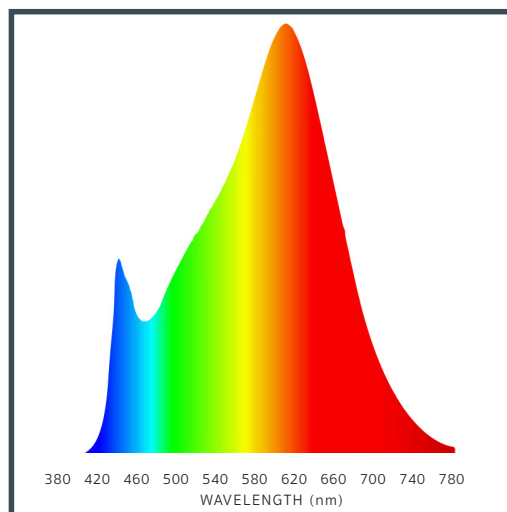
US PAT PENDING



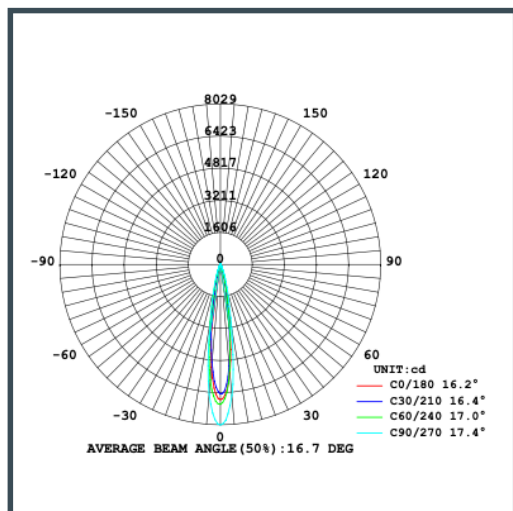
CANDELA DISTRIBUTION



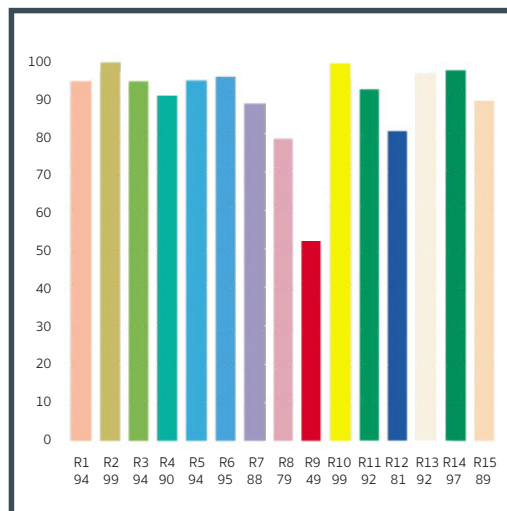
SPECTRAL DISTRIBUTION



LUMINOUS INTENSITY



CRI VALUES R1-R15



APPLICATIONS

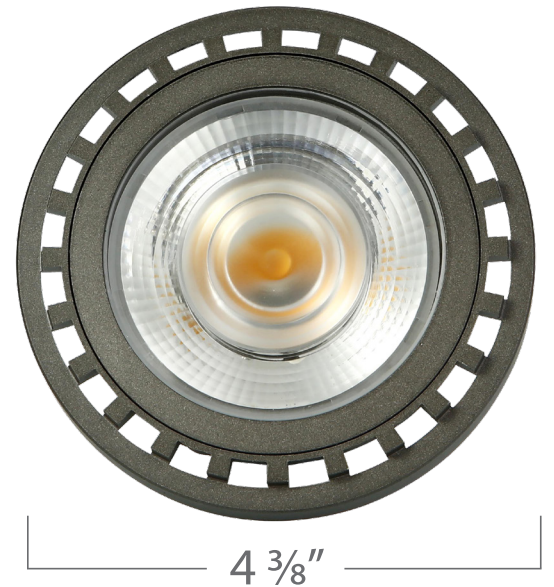
PAR36 lamps can have many applications including industrial farming, and aviation where a precise high-intensity spotlight is required, however they may be best known for their use in recessed landscape fixtures as well as flood lights where fixture concealment is desired. Our line of high performance PAR36s with assorted color, beamspread, and lumen outputs will ensure there is a bulb for your needs!

PAR36 14.0W - 24°

SPECIFICATIONS & TECHNICAL DATA

The 12V EmeryAllen PAR36 retrofit lamp is an energy efficient alternative to halogen PAR36 lamps. It offers similar light output to a 12V, 55W incandescent (1100lm) and is suitable for use in most 12V PAR36 fixtures.

Material	Ceramic + PC
Input Voltage	12V AC/DC
Wattage	14.0
Volt-Amperes (VA)	18
CRI	90
Brightness	1100 lumens
Lumens/Watt	79
CBCP	3086
Color Temperature	2700K, 3000K
R9	49
R13	92
Halogen Equivalent	55W
Beam Angle	24 degrees



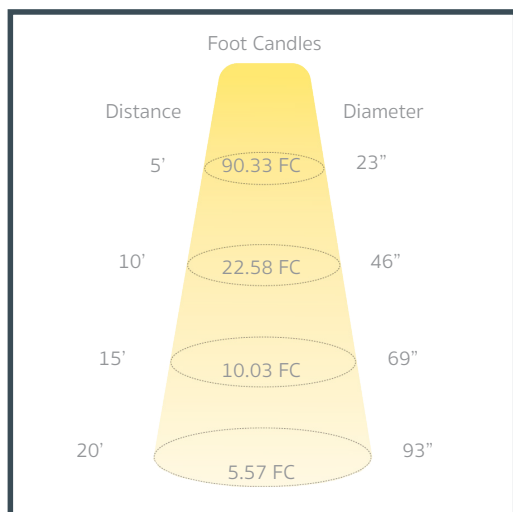
Available Models:

- EA-PAR36-14.0W-24D-2790 (2700K)
- EA-PAR36-14.0W-24D-3090 (3000K)

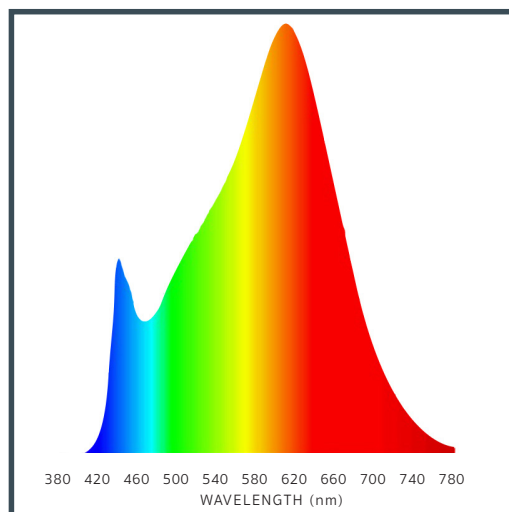
US PAT PENDING



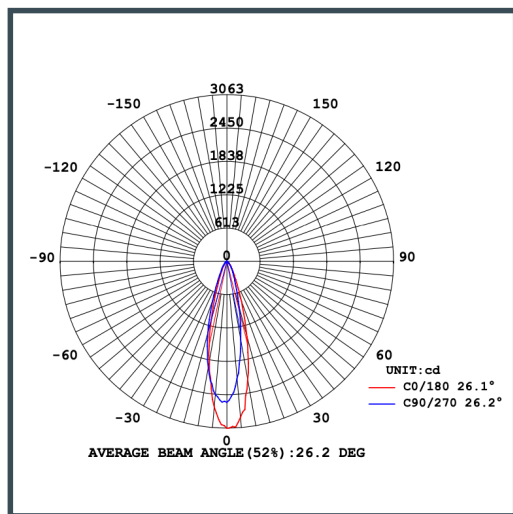
CANDELA DISTRIBUTION



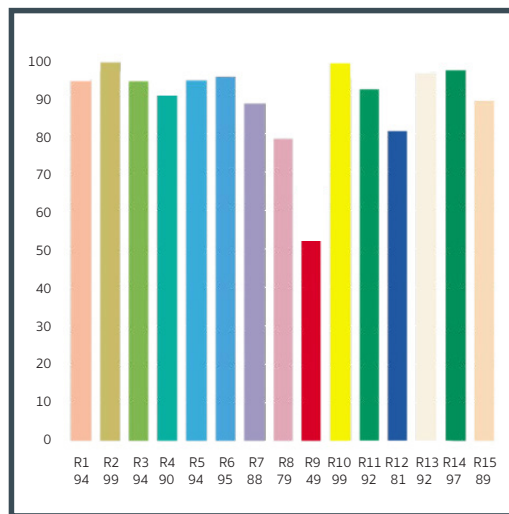
SPECTRAL DISTRIBUTION



LUMINOUS INTENSITY



CRI VALUES R1-R15



APPLICATIONS

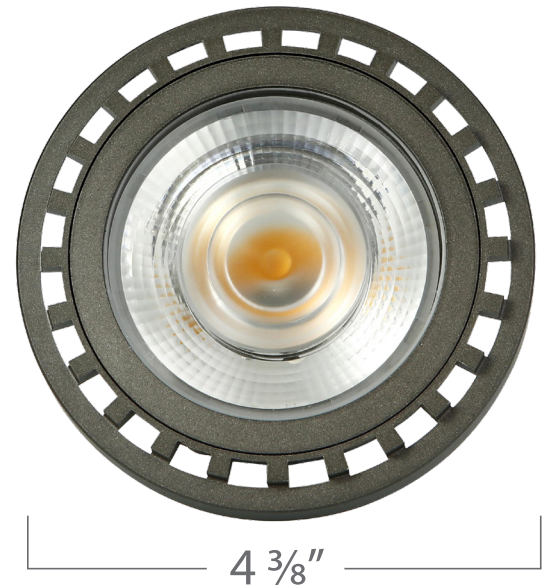
PAR36 lamps can have many applications including industrial farming, and aviation where a precise high-intensity spotlight is required, however they may be best known for their use in recessed landscape fixtures as well as flood lights where fixture concealment is desired. Our line of high performance PAR36s with assorted color, beamspread, and lumen outputs will ensure there is a bulb for your needs!

PAR36 14.0W - 36°

SPECIFICATIONS & TECHNICAL DATA

The 12V EmeryAllen PAR36 retrofit lamp is an energy efficient alternative to halogen PAR36 lamps. It offers similar light output to a 12V, 55W incandescent (1125lm) and is suitable for use in most 12V PAR36 fixtures.

Material	Ceramic + PC
Input Voltage	12V AC/DC
Wattage	14.0
Volt-Amperes (VA)	18
CRI	90
Brightness	1125 lumens
Lumens/Watt	80
CBCP	2250
Color Temperature	2700K, 3000K
R9	49
R13	92
Halogen Equivalent	55W
Beam Angle	36 degrees



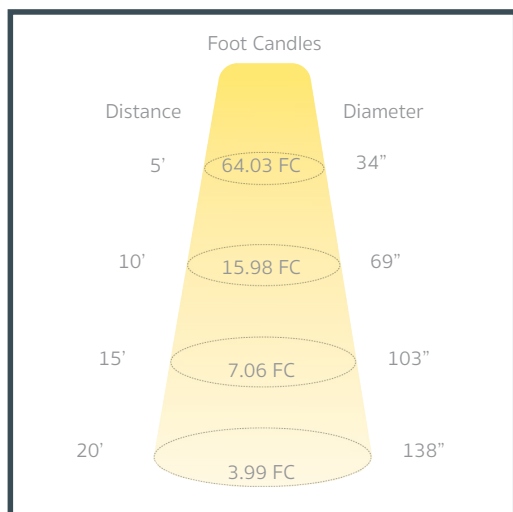
Available Models:

- EA-PAR36-14.0W-36D-2790 (2700K)
- EA-PAR36-14.0W-36D-3090 (3000K)

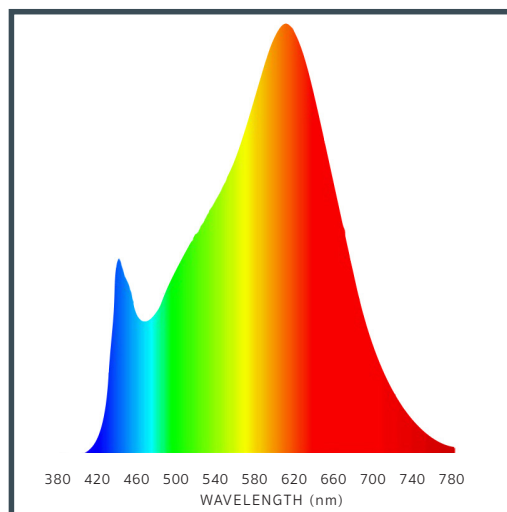
US PAT PENDING



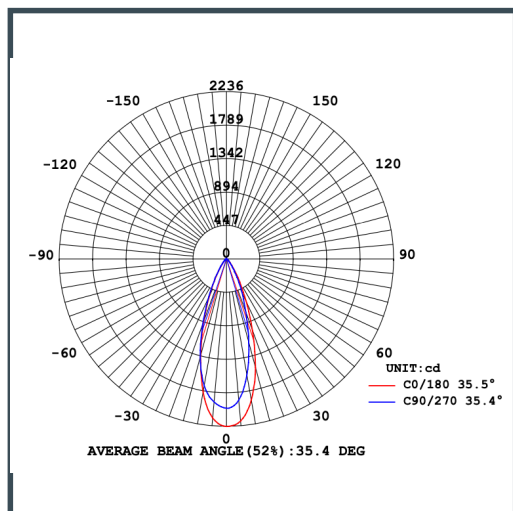
CANDELA DISTRIBUTION



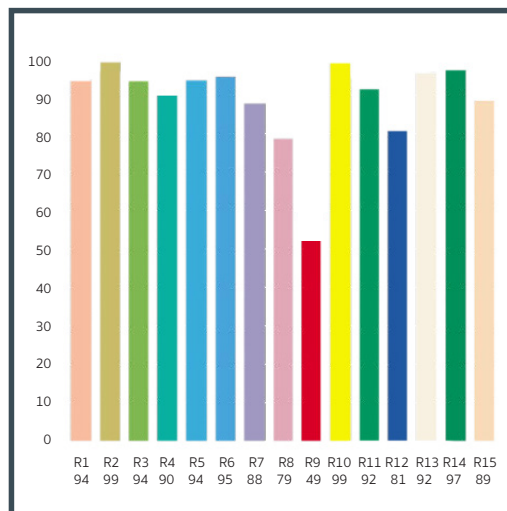
SPECTRAL DISTRIBUTION



LUMINOUS INTENSITY



CRI VALUES R1-R15



APPLICATIONS

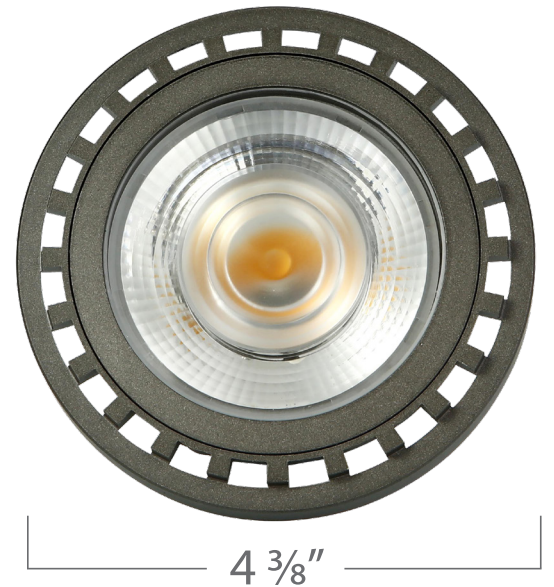
PAR36 lamps can have many applications including industrial farming, and aviation where a precise high-intensity spotlight is required, however they may be best known for their use in recessed landscape fixtures as well as flood lights where fixture concealment is desired. Our line of high performance PAR36s with assorted color, beamspread, and lumen outputs will ensure there is a bulb for your needs!

PAR36 14.0W - 60°

SPECIFICATIONS & TECHNICAL DATA

The 12V EmeryAllen PAR36 retrofit lamp is an energy efficient alternative to halogen PAR36 lamps. It offers similar light output to a 12V, 55W incandescent (1150lm) and is suitable for use in most 12V PAR36 fixtures.

Material	Ceramic + PC
Input Voltage	12V AC/DC
Wattage	14.0
Volt-Amperes (VA)	18
CRI	90
Brightness	1150 lumens
Lumens/Watt	82
CBCP	1234
Color Temperature	2700K, 3000K
R9	48
R13	91
Halogen Equivalent	55W
Beam Angle	60 degrees



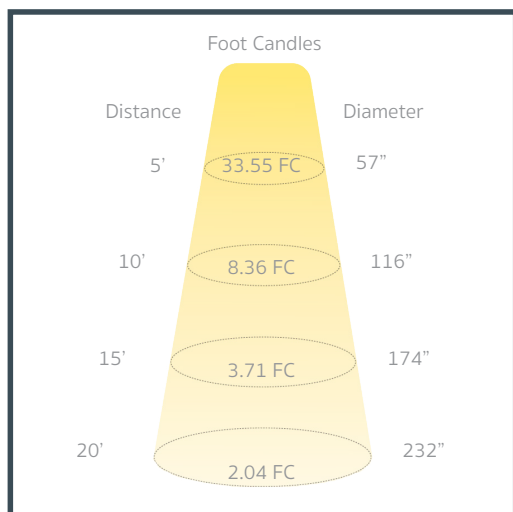
Available Models:

- EA-PAR36-14.0W-60D-2790 (2700K)
- EA-PAR36-14.0W-60D-3090 (3000K)

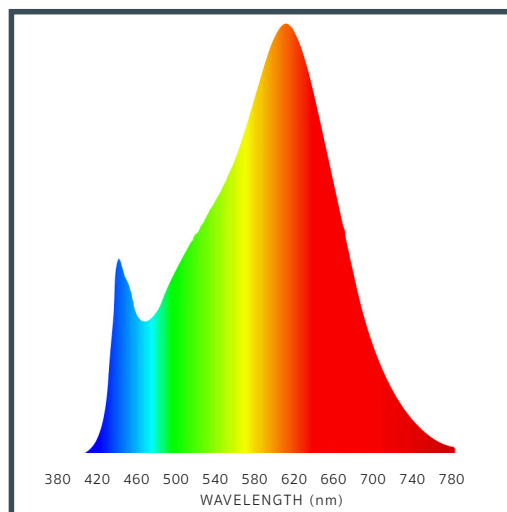
US PAT PENDING



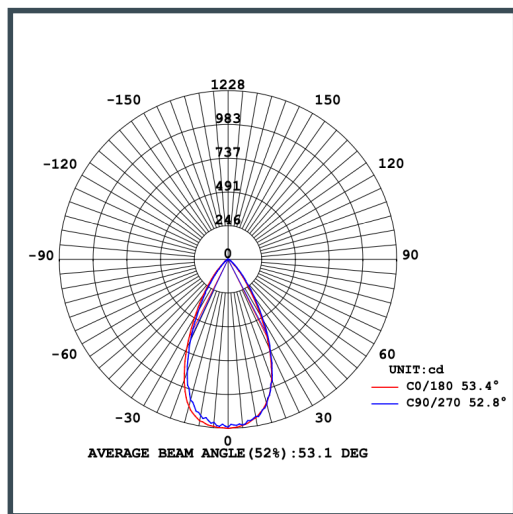
CANDELA DISTRIBUTION



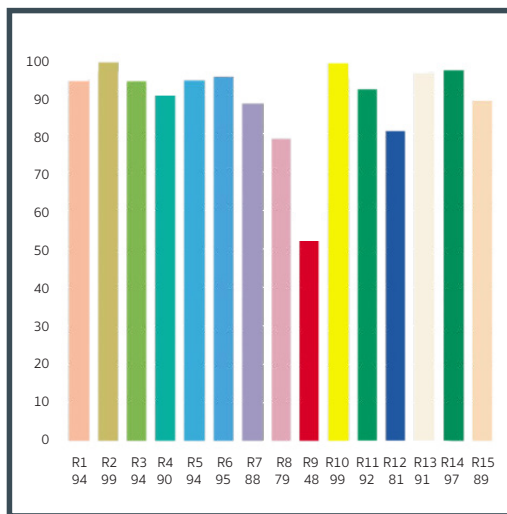
SPECTRAL DISTRIBUTION



LUMINOUS INTENSITY



CRI VALUES R1-R15



APPLICATIONS

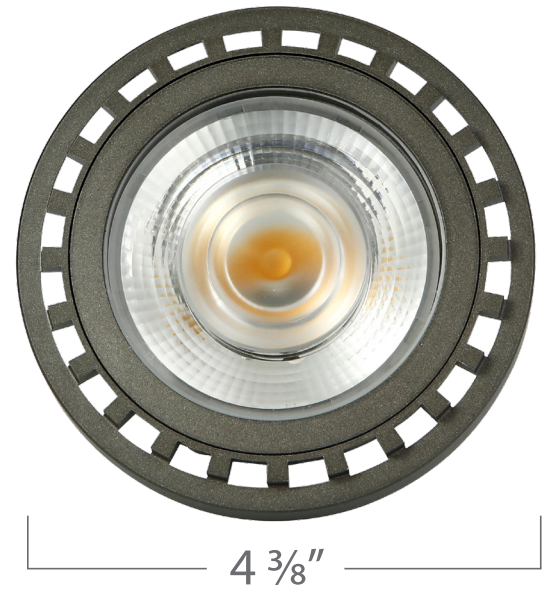
PAR36 lamps can have many applications including industrial farming, and aviation where a precise high-intensity spotlight is required, however they may be best known for their use in recessed landscape fixtures as well as flood lights where fixture concealment is desired. Our line of high performance PAR36s with assorted color, beamspread, and lumen outputs will ensure there is a bulb for your needs!

PAR36 14.0W - 120°

SPECIFICATIONS & TECHNICAL DATA

The 12V EmeryAllen PAR36 retrofit lamp is an energy efficient alternative to halogen PAR36 lamps. It offers similar light output to a 12V, 55W incandescent (925lm) and is suitable for use in most 12V PAR36 fixtures.

Material	Ceramic + PC
Input Voltage	12V AC/DC
Wattage	14.0
Volt-Amperes (VA)	18
CRI	90
Brightness	925 lumens
Lumens/Watt	66
CBCP	415
Color Temperature	2700K, 3000K
R9	47
R13	91
Halogen Equivalent	55W
Beam Angle	120 degrees



Available Models:

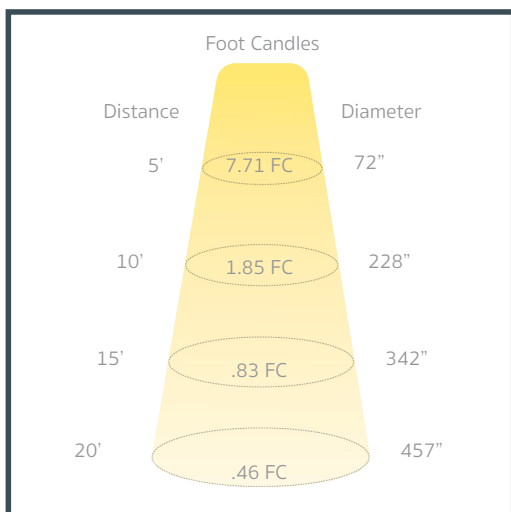
- EA-PAR36-14.0W-120D-2790 (2700K)
- EA-PAR36-14.0W-120D-3090 (3000K)

US PAT PENDING

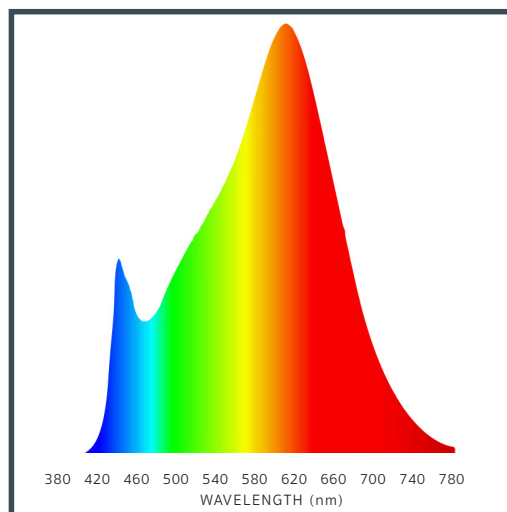


PAR36 / 14.0W / 120°

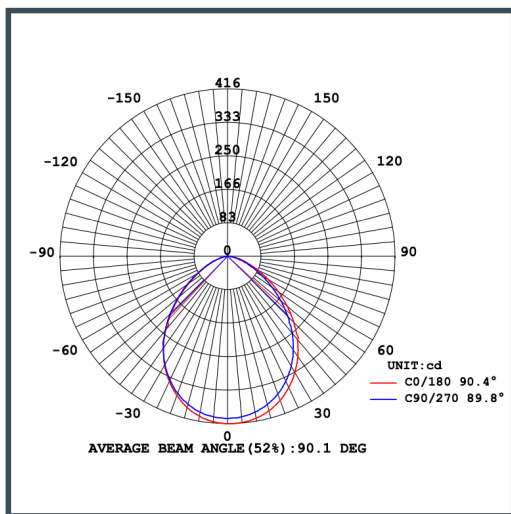
CANDELA DISTRIBUTION



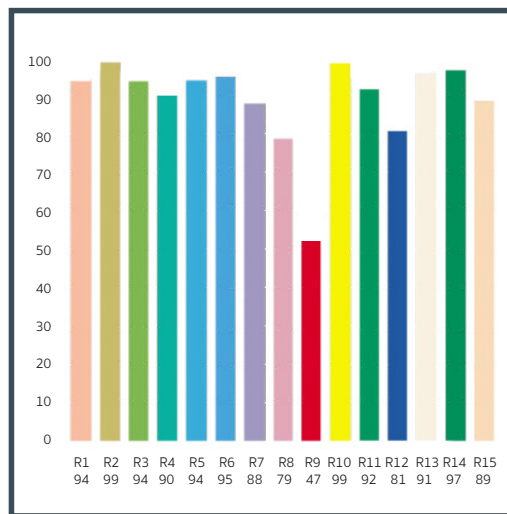
SPECTRAL DISTRIBUTION



LUMINOUS INTENSITY



CRI VALUES R1-R15



APPLICATIONS

PAR36 lamps can have many applications including industrial farming, and aviation where a precise high-intensity spotlight is required, however they may be best known for their use in recessed landscape fixtures as well as flood lights where fixture concealment is desired. Our line of high performance PAR36s with assorted color, beamspread, and lumen outputs will ensure there is a bulb for your needs!